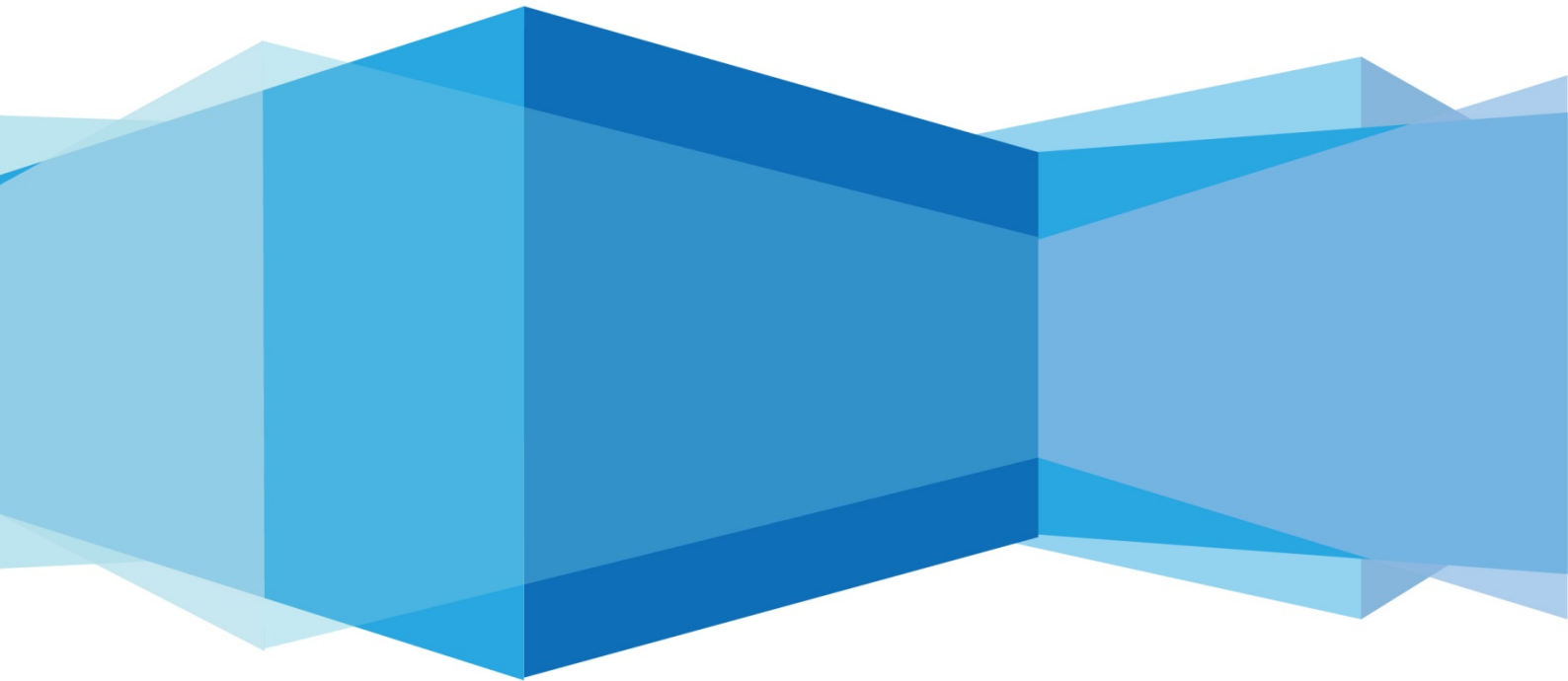


lierda[®]
利尔达科技集团

证券代码
832149



利尔达科技集团股份有限公司

LIERDA SCIENCE & TECHNOLOGY GROUP CO., LTD.

“ ”

Lierda Science& Technology Group Co., Ltd

1.0

2019-05-06

Lierda Science& Technology Group Co., Ltd

1	NB86-G	20×16×2.2 mm
2	NB86-G	20×16×2.2 mm

Lierda Science & Technology Group Co., Ltd.



RF



SIM



Lierda Science & Technology Group Co., Ltd

	2
	3
	4
	5
	6
1.	7
2.	7
3.	7
4.	8
5.	8
5.1.	8
5.2.	Demo	9
5.3.	9
5.3.1.	9
5.4.	10
5.5.	10
6.	10
7.	11
8.	11

Lierda Science& Technology Group Co., Ltd

1.

- Project XX
 - src
 - lib
 - Demo

2.

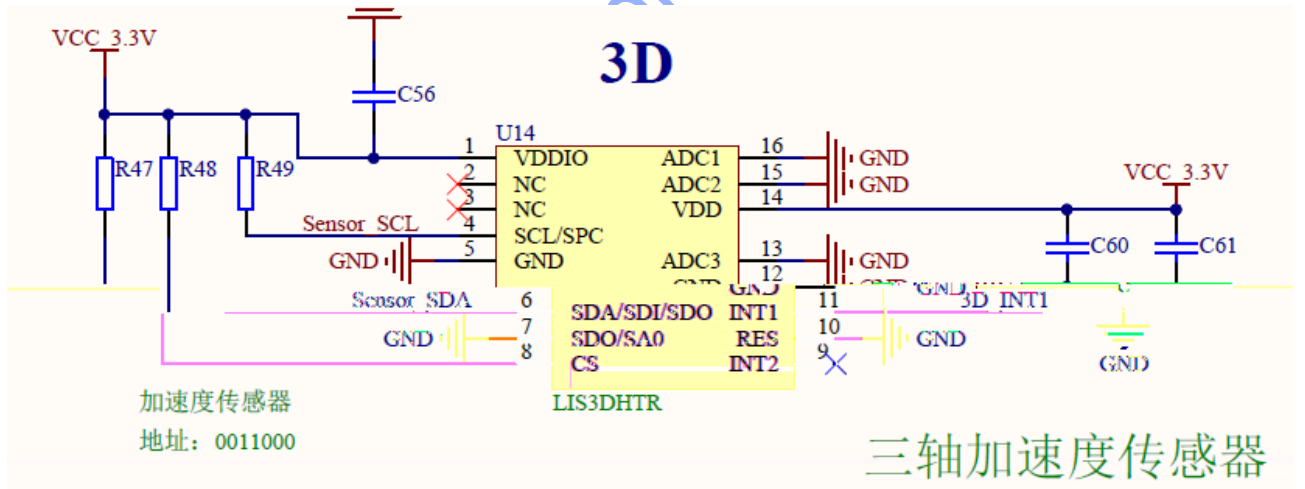
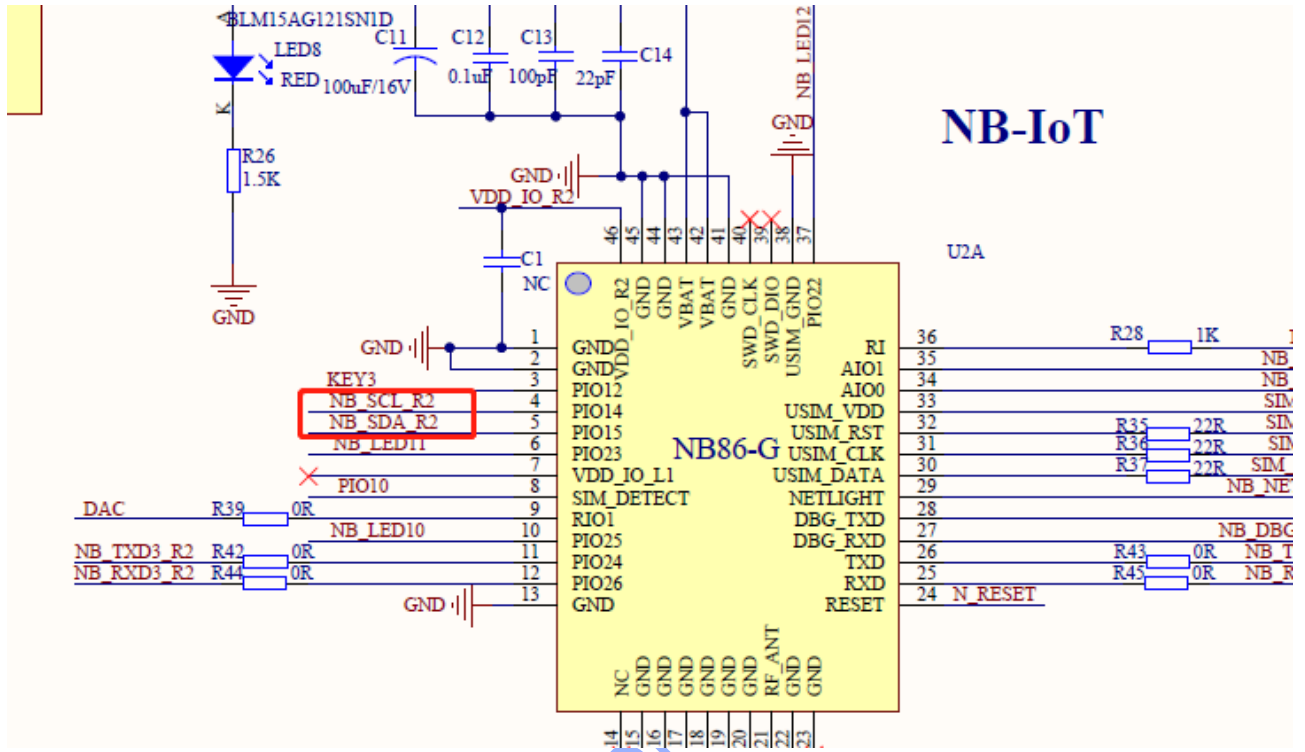
-
-

3.

- Lierda NB86 EVK/NB86-G
- USB
- Eclipse

Lierda Science& Technology Group Co., Ltd

4.



5. Lierda

5.1.

ProjectLedFlashing

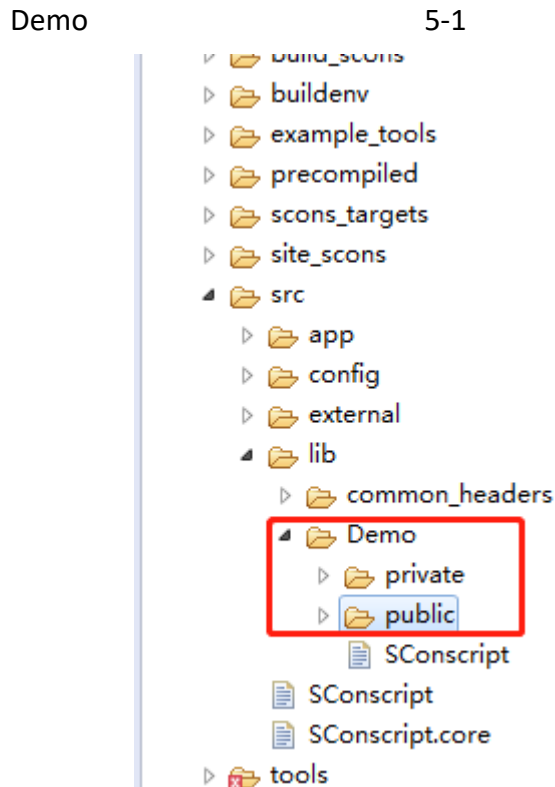
eclipse

Lierda NB-IoT

OpenCPU

DemoCode

5.2. Demo



5.3.

5.3.1.



```
#include "lierdaI2C.h"
```

```
HAL_StatusTypeDef lierdaI2CInit(I2C_HandleTypeDef *hi2c); //I2C
```

```
I2C_RET lierdaI2CWrite(I2C_HandleTypeDef *hi2c,uint8 i2c_slave_addr,uint8 *data,uint8 data_len); //I2C
```

```
I2C_RET lierdaI2CRead(I2C_HandleTypeDef *hi2c,uint8 i2c_slave_addr,uint8 *data, uint8 data_len); //I2C
```



```
#include "cmsis_os2.h"
```

```
osMessageQueueId_t osMessageQueueNew (uint32_t msg_count, uint32_t msg_size, const osMessageQueueAttr_t *attr);//
```

```
osStatus_t osMessageQueuePut (osMessageQueueId_t mq_id, const void *msg_ptr,  
uint8_t msg_prio, uint32_t timeout);//  
osStatus_t osMessageQueueGet (osMessageQueueId_t mq_id, void *msg_ptr, uint8_t  
*msg_prio, uint32_t timeout);//
```

5.4.

Lierda NB-IoT

OpenCPU DemoCode

5.5.

AT

9600

```
□□?□?  
Boot: Unsigned  
Security B.. Verified  
Protocol A.. Verified  
Apps A..... Verified  
REBOOT_CAUSE_SECURITY_RESET_PIN  
Lierda  
OK  
*****  
NB86 EVK开发板例程——低功耗测试  
  
利尔达科技集团<www.lierda.com>  
LSD Science&Technology Co.,Ltd  
杭州市余杭区文一西路1326号利尔达科技园  
物联网开发者社区<http://bbs.lierda.com>  
*****  
  
waiting init complete.  
press k2 button to get LIS3DH data.  
X轴:4096, Y轴:512, Z轴:21760  
X轴:5888, Y轴:0, Z轴:16896  
X轴:512, Y轴:-3328, Z轴:13312  
AT+MLWEVTIND=0  
AT+MLWEVTIND=3
```

7.

8.

Lierda Sciences

Group Co., Ltd